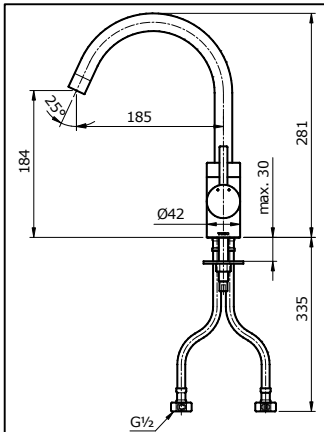
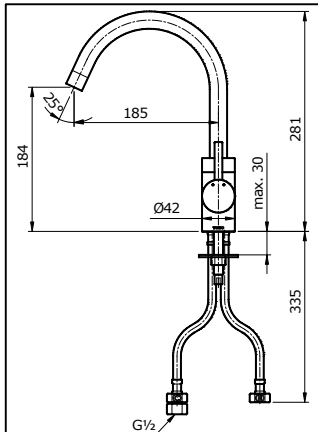


SPECIFICATIONS



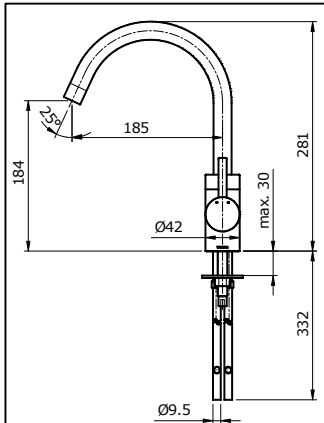
TX 605 KESBR

"EGO II" Single Lever Kitchen Faucet



TX 605 KESV2BR

"EGO II" Single Lever Kitchen Faucet w/
Flow Restrictor



TX 605 KESV3BR

"EGO II" Single Lever Kitchen Faucet w/
Copper Pipe

OPERATING CONDITIONS

1. Water supply pressure : 0.05 ~ 0.75 MPa.
2. Ensure that water supply is clean (No Sand, Dirt, Etc.).

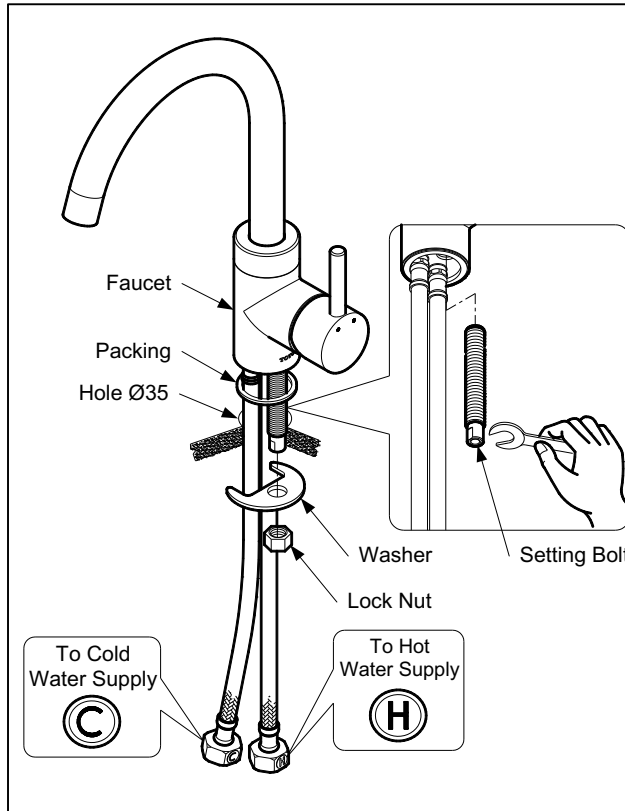
MAINTENANCE

1. Always wipe chrome plated area with dry soft cloth, and sometimes wipe it with cloth soaked in mild soap.
2. Clean the Flow restrictor periodically with soft brush

For TX605KESV2BR

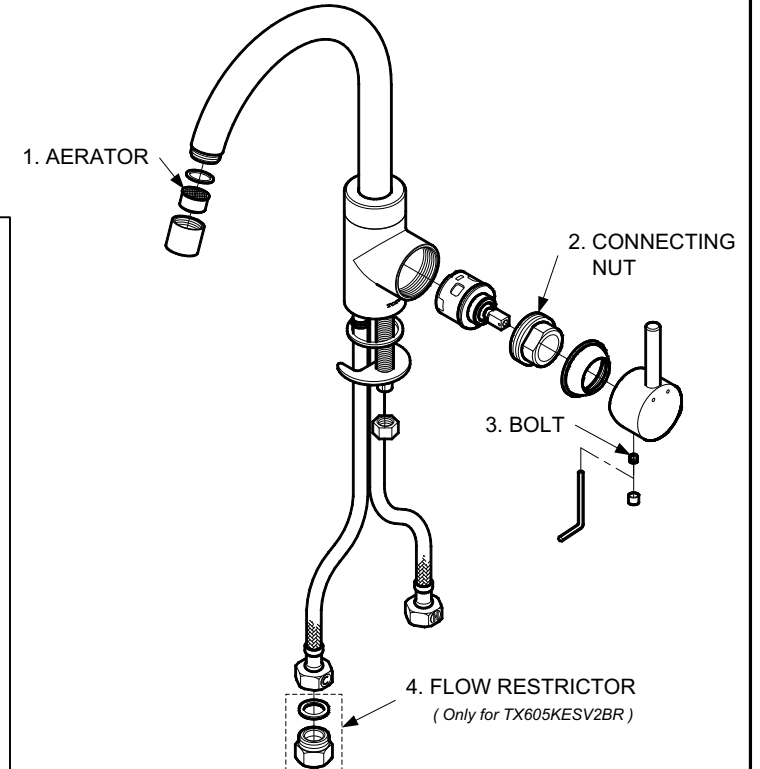


INSTALLATION



TROUBLESHOOTING

PROBLEM	CHECK POINT	SOLUTION
Flow rate unsatisfactory	1, 4	Remove and clean
Water leaks around the handle	2	Tighten
Handle is loose	3	Tighten



ATTENTION

Use of abrasive cleaning material such as; detergents containing hydrochloric acids, thinner, polishing powder, and nylon brush is not recommended.