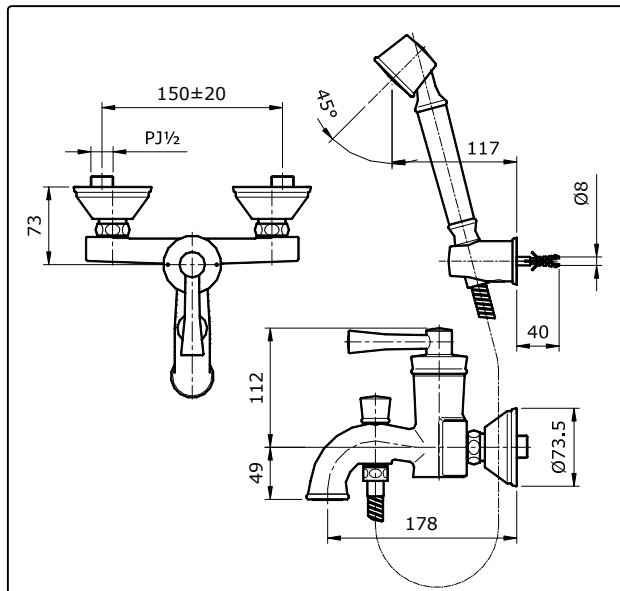


SPECIFICATIONS



OPTIONAL HANDLE

	TX432SG "GLORIA" Single Lever Bath & Shower Set TX432SGP "GLORIA" Single Lever Bath & Shower Set (PVD)
	TX432SGC "GLORIA" Ceramic Single Lever Bath & Shower Set TX432SGCP "GLORIA" Ceramic Single Lever Bath & Shower Set (PVD)

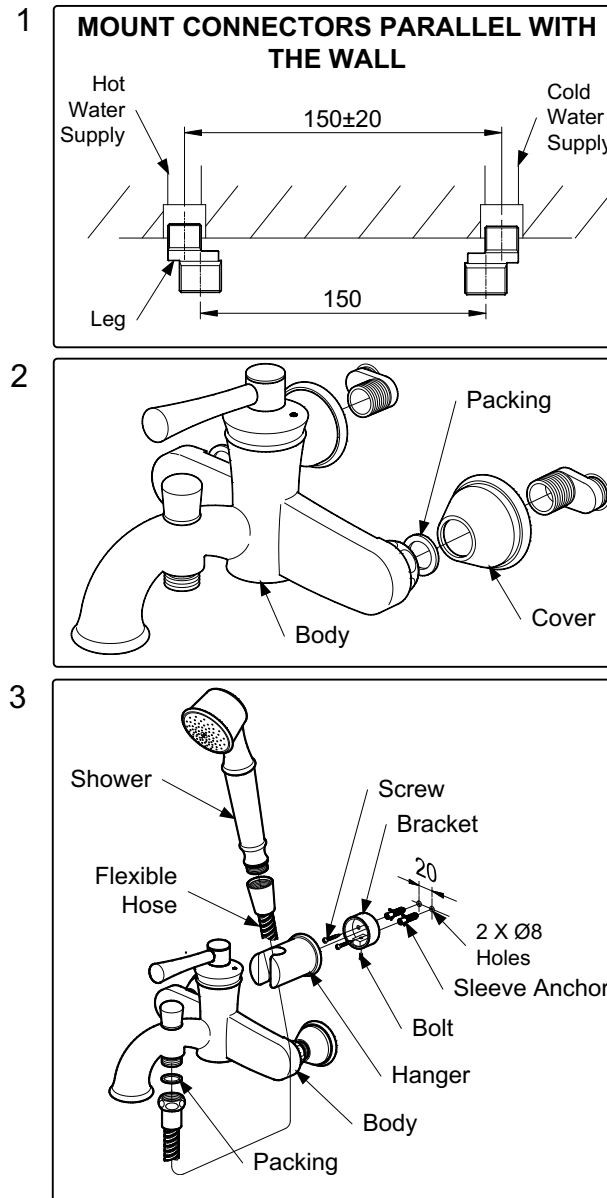
OPERATING CONDITIONS

1. Water supply pressure : 0.05 ~ 0.75 MPa
2. Ensure that water supply is clean (No Sand, Dirt, Etc.).

MAINTENANCE

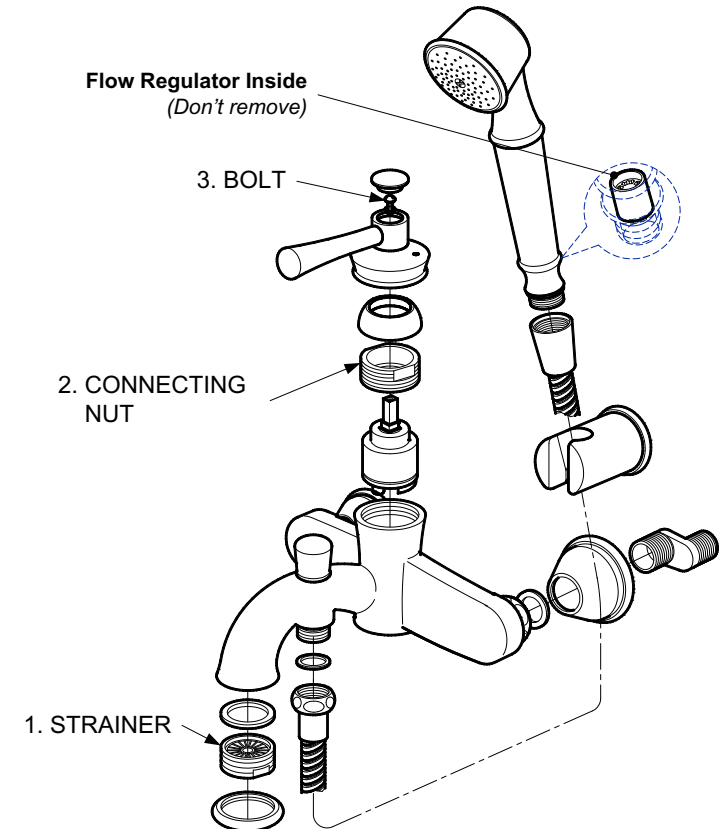
Always wipe chrome plated area with dry soft cloth, and sometimes wipe it with cloth soaked in mild soap.

INSTALLATION



TROUBLESHOOTING

PROBLEM	CHECK POINT	SOLUTION
Flow rate unsatisfactory	1	Remove and clean
Water leaks around the handle	2	Tighten
Handle is loose	3	Tighten



ATTENTION

1. Use of abrasive cleaning material such as; detergents containing hydrochloric acids, thinner, polishing powder, and nylon brush is not recommended.
2. Flow Regulator should not be remove because it could damage the system