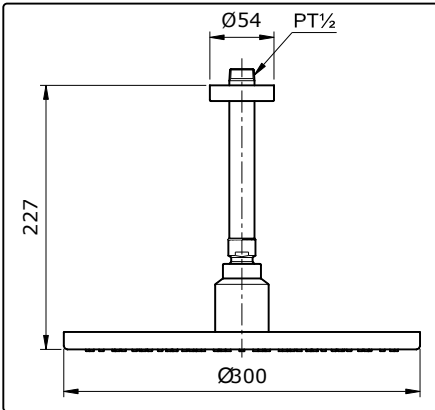


# TOTO

## LED FIXED SHOWER HEAD W/ PIPE TX497SV1 (L = 227 mm, $\phi$ = 300 mm) (CEILING TYPE)

### SPECIFICATIONS



### OPERATING CONDITIONS

1. Water supply pressure : 0.05 ~ 0.75 MPa.
2. Ensure that water supply is clean ( No Sand, Dirt, Etc.).

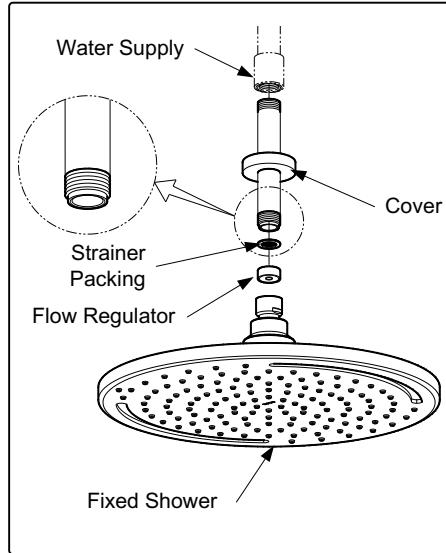
### MAINTENANCE

Always wipe chrome plated area with dry soft cloth, and sometimes wipe it with cloth soaked in mild soap.

### ATTENTION

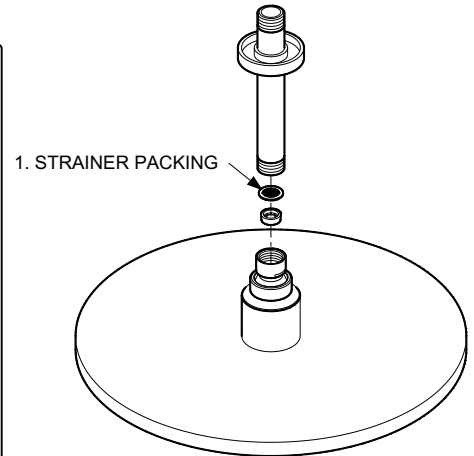
Use of abrasive cleaning material such as; detergents containing hydrochloric acids, thinner, polishing powder, and nylon brush is not recommended

### INSTALLATION



### TROUBLESHOOTING

PROBLEM	CHECK POINT	SOLUTION
Flow rate unsatisfactory	1	Remove and clean

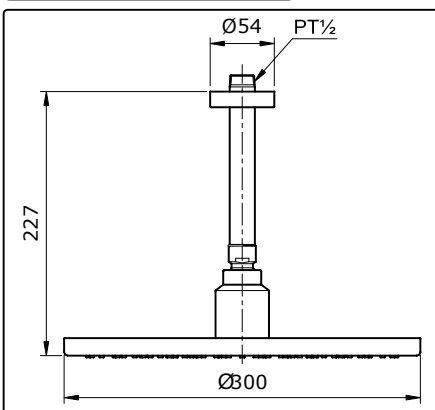


S060109-1

# TOTO

## LED FIXED SHOWER HEAD W/ PIPE TX497SV1 (L = 227 mm, $\phi$ = 300 mm) (CEILING TYPE)

### SPECIFICATIONS



### OPERATING CONDITIONS

1. Water supply pressure : 0.05 ~ 0.75 MPa.
2. Ensure that water supply is clean ( No Sand, Dirt, Etc.).

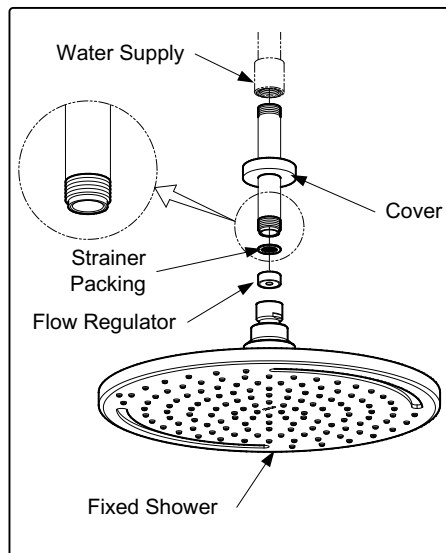
### MAINTENANCE

Always wipe chrome plated area with dry soft cloth, and sometimes wipe it with cloth soaked in mild soap.

### ATTENTION

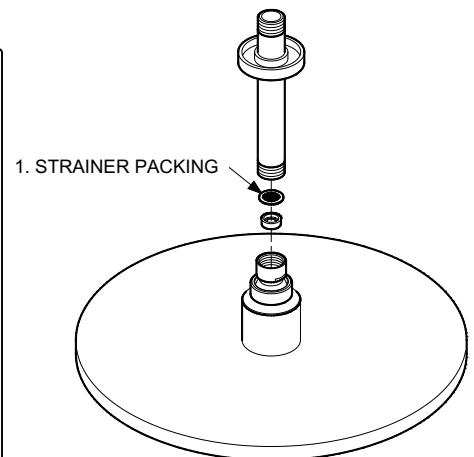
Use of abrasive cleaning material such as; detergents containing hydrochloric acids, thinner, polishing powder, and nylon brush is not recommended

### INSTALLATION



### TROUBLESHOOTING

PROBLEM	CHECK POINT	SOLUTION
Flow rate unsatisfactory	1	Remove and clean



S060109-1