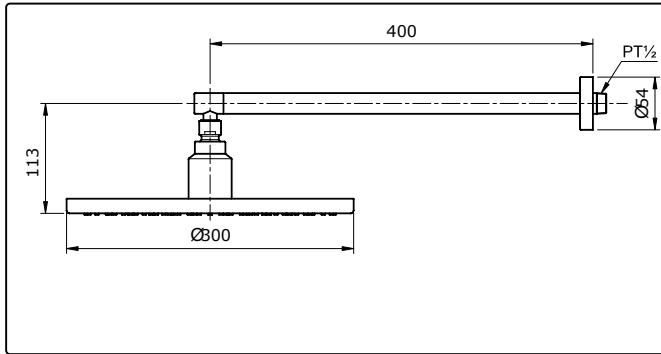


# TOTO

## LED FIXED SHOWER HEAD W/ PIPE (L = 400 mm, $\phi$ = 300 mm) (WALL TYPE)

### TX497S

#### SPECIFICATIONS



#### OPERATING CONDITIONS

1. Water supply pressure : 0.05 ~ 0.75 MPa.
2. Ensure that water supply is clean ( No Sand, Dirt, Etc.).

#### MAINTENANCE

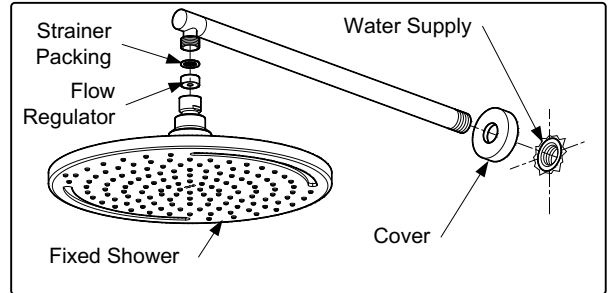
Always wipe chrome plated area with dry soft cloth, and sometimes wipe it with cloth soaked in mild soap.

#### ATTENTION

Use of abrasive cleaning material such as; detergents containing hydrochloric acids, thinner, polishing powder, and nylon brush is not recommended

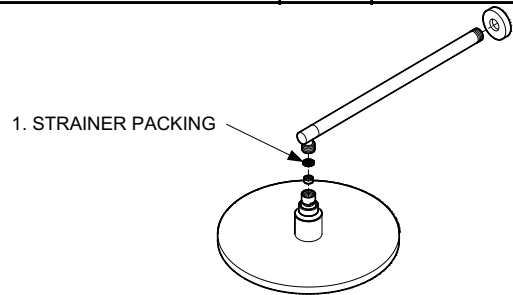
S060109

#### INSTALLATION



#### TROUBLESHOOTING

PROBLEM	CHECK POINT	SOLUTION
Flow rate unsatisfactory	1	Remove and clean

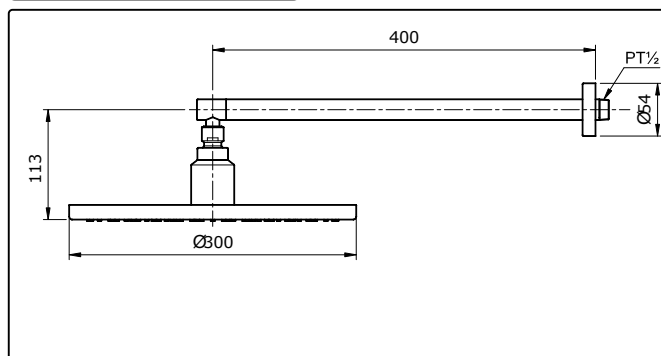


# TOTO

## LED FIXED SHOWER HEAD W/ PIPE (L = 400 mm, $\phi$ = 300 mm) (WALL TYPE)

### TX497S

#### SPECIFICATIONS



#### OPERATING CONDITIONS

1. Water supply pressure : 0.05 ~ 0.75 MPa.
2. Ensure that water supply is clean ( No Sand, Dirt, Etc.).

#### MAINTENANCE

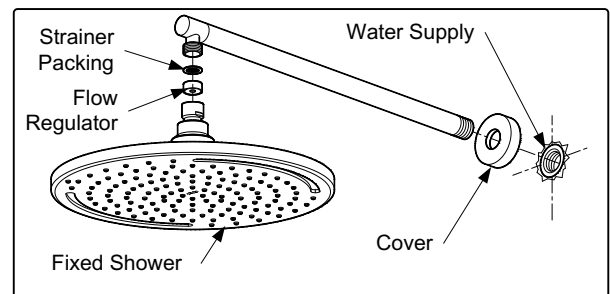
Always wipe chrome plated area with dry soft cloth, and sometimes wipe it with cloth soaked in mild soap.

#### ATTENTION

Use of abrasive cleaning material such as; detergents containing hydrochloric acids, thinner, polishing powder, and nylon brush is not recommended

S060109

#### INSTALLATION



#### TROUBLESHOOTING

PROBLEM	CHECK POINT	SOLUTION
Flow rate unsatisfactory	1	Remove and clean

